



---

# USER MANUAL

## Gravity water filter

---

Assembly

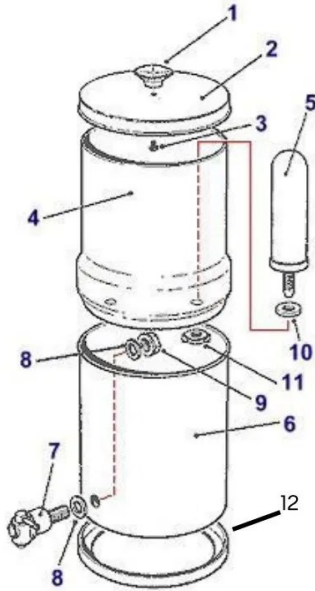
Rinsing

Cleaning

Maintenance

# THE PARTS OF YOUR PURIFIER

Identify each component before starting assembly.



No.	Component
1	Lid knob
2	Lid
3	Lid knob screw
4	Upper reservoir
5	Filter
6	Lower reservoir
7	Tap
8	Tap washers
9	Tap nut
10	Sealing gasket
11	Fixing nut
12	Stability gasket

## Before you start

Wash your hands thoroughly. Clean all parts with clean water before assembly, paying special attention to the two reservoirs.

# ASSEMBLY INSTRUCTIONS

Follow these 10 steps in order to correctly assemble your purifier.

**1**

Unpack all parts. Check that everything is complete using the list on the previous page.

**2**

Place the knob (1) on the lid (2). Insert the screw (3) through the hole in the lid and hand-screw the knob on top.

**3**

Place the sealing gasket (10) on the threaded part of the filter (5).

**4**

Place the filter (5) with its gasket inside the upper reservoir (4).

**5**

Secure the filter by screwing the fixing nut (11) onto the threaded support. Repeat steps 3, 4 and 5 for each filter.

**6**

Expandable systems: place the reservoir plugs in any remaining empty holes.

**7**

Place the stainless steel washer and then the rubber gasket (8) on the threaded part of the tap (7).

**8**

Insert the tap (7) into the hole of the lower reservoir (6). Add the second gasket (8) with its washer on the inside and tighten the tap nut (9) by hand only.

**9**

Place the upper reservoir (4) on the lower reservoir (6) and place the lid (2).

**10**

Install the stability gasket (12) under the lower reservoir.

# INSTALLING A NEW FILTER

Start-up procedure for any new gravity filter.

1

Remove the filter from its packaging and place the rubber sealing gasket on its thread.

2

Insert the filter with its gasket into the upper reservoir and secure it with the fixing nut provided. Do not over-tighten.

3

Fill the upper chamber completely with clean water.

4

Discard this first filtered water by completely emptying the lower compartment. Repeat 2 to 3 times. The filter is now ready for use.

## Dark deposit on first use?

Normal for carbon filters. This deposit disappears after the first rinse cycles described in steps 3 and 4.

## Low flow rate at start-up?

Up to 45 minutes may be needed for the filter to fully saturate and reach its maximum flow rate.

Video tutorial: [youtube.com/@Pure\\_Filters\\_](https://www.youtube.com/@Pure_Filters_)

# COLDSTREAM FTO+ RINSING PROTOCOL

Follow this protocol before first use to eliminate all manufacturing residues.

## RINSING FTO+ FILTERS BEFORE INSTALLATION

### Initial preparation

- Rinse each filter under a stream of cold water for 2 minutes.
- Use a soft sponge or slightly abrasive microfibre cloth to gently clean the outer surface of the filters without damaging the ceramic.

### Installing the filters

- Carefully screw the filters into the upper reservoir of your system.
- Make sure the silicone gaskets are correctly positioned to avoid any leaks.

## RINSING THE COMPLETE SYSTEM

### First filtration cycles

- Fill the upper reservoir with clean water.
- Let the water filter completely into the lower reservoir.
- **Important:** Empty this water after each cycle — it may contain manufacturing particles, which are harmless to health.

### Recommended number of cycles

- Repeat this process for 2 to 3 complete cycles to eliminate all manufacturing residues.

# CLEANING THE RESERVOIRS

Regular maintenance ensures the quality of your filtered water.

## UPPER AND LOWER RESERVOIR

- Clean the reservoirs with a soft sponge or slightly abrasive microfibre cloth and warm soapy water.
- Rinse thoroughly to eliminate any trace of soap or residue.

## RECOMMENDED FREQUENCY

- Clean the reservoirs at least once a month, or more frequently if you notice deposits.

## CERAMIC RESIDUE — NOTHING TO WORRY ABOUT

- Ceramic residue visible during the first filtration cycles is not harmful to health.
- These inert particles are completely safe for human consumption.

### Expected result

Once these steps are completed, your filtered water will be clean, with no taste or residue.

# FILTER MAINTENANCE & LIFESPAN

Extend your filter's performance with proper maintenance.

If the flow rate decreases after several months of use, regenerate the filter before replacing it.

## REGENERATING THE FILTER

1

Remove the filter from its housing. Carefully clean the outer surface with a clean scrubbing sponge, without any cleaning products, under cold water.

2

Reinstall the filter as described on the installation page (steps 1 and 2).

## ■ Replacement recommended every 6 months



Always wash your hands before and after any filter handling.

## CONTACT & SUPPORT

Questions about use or maintenance? Contact us or consult your Pure Filters advisor.

<b>Address</b>	Ch. de la Meunière 10, 1008 Prilly / VD, Switzerland
<b>Web</b>	<a href="http://www.nicewater.ch">www.nicewater.ch</a>
<b>Tel. CH</b>	+41 21 552 06 00
<b>Tel. EU</b>	+33 1 89 70 87 26